

# LIFTING COLUMN LP3

## Features:

- *Extremely low noise level*
- *Robust anodized aluminium surface*
- *Elegant and compact design*
- *In each end of the lifting column there is a black steel plate with 4 holes for mounting.*
- *Ambient temperature +5°C to +40°C*
- *Max. force: 2400 N, push only (depending on the type)*
- *Two straight cables fitted with 6.3 mm jack-plug*
- *LINAK LP3 is a specially designed lifting column incorporating 2 LINAK® 24 V DC linear actuators.*
- *LP3 is designed to provide vertical lifting where simultaneous bending and torsion moments may occur*
- *Colour: anodised aluminium*
- *Duty cycle: 2/18; 2 minutes continuous use followed by 18 minutes not in use.*
- *LP3 is compatible with CB8, CB12, CB14 or CB18*

## Options:

- *Reed switch (for parallel and / or memory drive)*
- *Safety nut*
- *Mounting bracket on the side of the column (control boxes can be fixed directly to the lifting column).*

**MEDLINE**  
IMPROVING EFFICIENCY  
**TECHLINE**  
IMPROVING FLEXIBILITY



LP3 is developed for vertical lifts and can resist a bending moment by virtue of the effective telescopic system.

The lifting column is designed for applications where a small installation dimension is requested without compromising the lifting capacity. The LP3 is characterised by having a lower installation dimension proportional to the stroke length compared with LP2. LP3 can also attain a higher speed than LP2.

The telescopic column is compatible with LINAK's control boxes and can run individually; as 2 x LP3 in parallel and/ or with memory.

The LP3 is the perfect choice for height adjustment on dental, gynaecologist and wheel chairs as well as for operating-, office- and working benches etc.

**Technical specifications:**

Type  (Actuator inside)	Push max.	Typical amp. column speed (mm/s)		Typical amp. (24V)		Build-in "I" Stroke length "S"				Profile No.	Max. bending		
		no load	full load	no load	full load	(mm)					Mx (Nm)	My (Nm)	
LP3-6.1 (285xx0-xxxxx10x)	2400	18	12.4	2 x 1.0	2 x 5	I	360	405	460	550	4-5-6	600	375
						S	300	350	400	600			
LP3-6.7 (281xx0-xxxxx00x)	1400	16	8.4	2 x 0.7	2 x 2.5	I	360	405	460	550	4-5-6	600	375
						S	300	350	400	600			
LP3-6.8 (285xx0-xxxxx00x)	1700	12	7	2 x 0.7	2 x 2.5	I	360	405	460	550	4-5-6	600	375
						S	300	350	400	600			

Speed values: average values, measured with column and stable power supply.

The speed max. is measured at zero load and with both actuators driving simultaneously.

LP3 has 2 actuators and will therefore be supplied with 2 cables and jack-plug.

The cables have to come out of the smallest profile (212 x 156 see drawing).



The speed mentioned above are at load on the Z-axis of the LP.

The column can only be loaded with the maximum bending moment over the first 80% of the stroke.

Above this 80% figure, the maximum bending moment will be reduced to 50%.

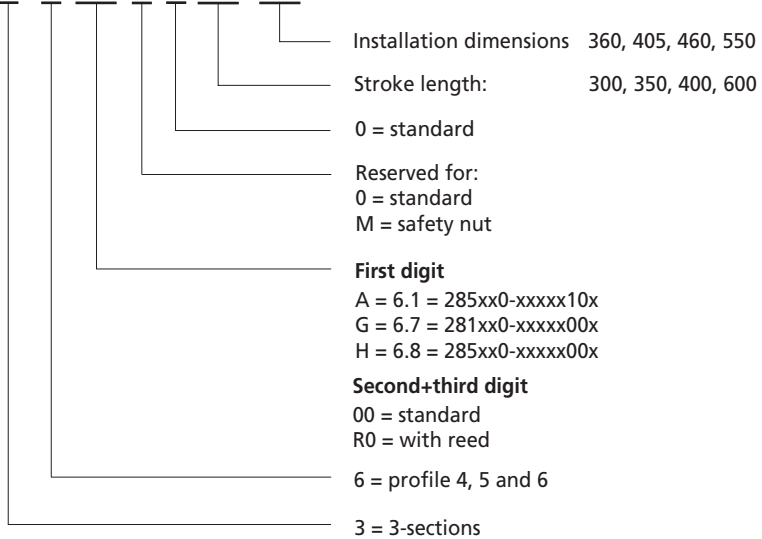


The column must only be mounted with the largest profile uppermost.

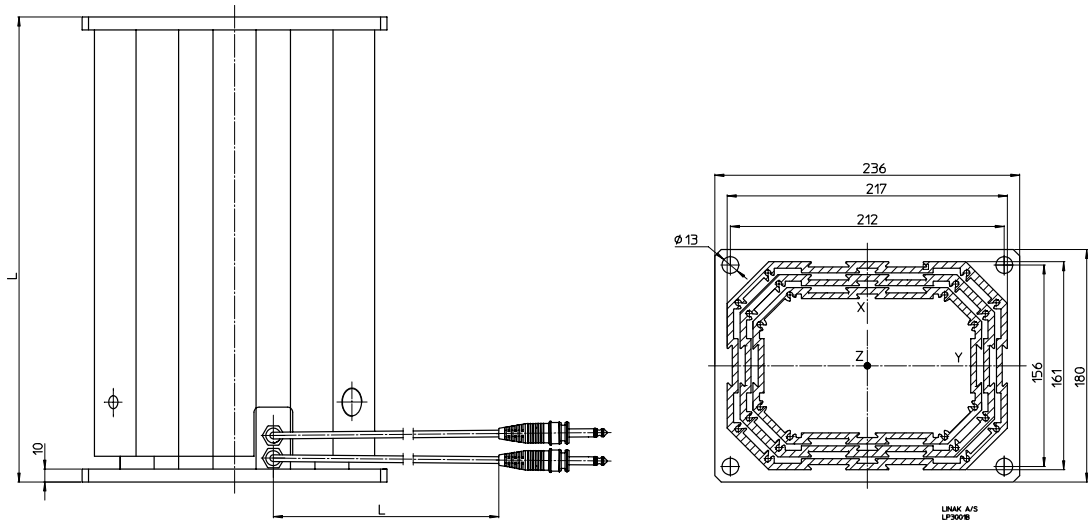
**LP3**

**Ordering example:**

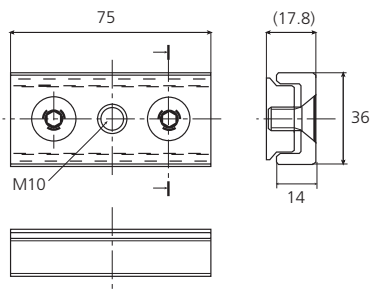
LP 3 6 A00 0 0 300 360



**Dimensions:**



**Mounting Bracket**



---

Specifications subject to change without prior notice.  
It is the responsibility of the product user to determine the suitability of LINAK A/S products for a specific application. LINAK will at point of delivery replace/repair defective products covered by the warranty if promptly returned to the factory. No liability is assumed beyond such replacement/repair.