

Synchronous servo motors

IndraDyn S

MSM - for compact drives



Synchronous servo motors

IndraDyn S ■ MSM - for compact drives**Documentation****High dynamic performance and compact design**

- Maximum torque up to 7.1 Nm
- Maximum speed up to 5,000 rpm
- Multi-turn absolute encoder
- High dynamic performance
- High performance density

Maintenance-free MSM motors are available in five sizes rated at up to 750 W continuous mechanical power. These short-length motors feature high power density and minimized flange dimensions, making them the ideal choice in a wide range of application scenarios.

The IP54 motors come with an absolute encoder and optional holding brake, and they can easily be connected to IndraDrive Cs servo drives with 3 AC 230 V line input.

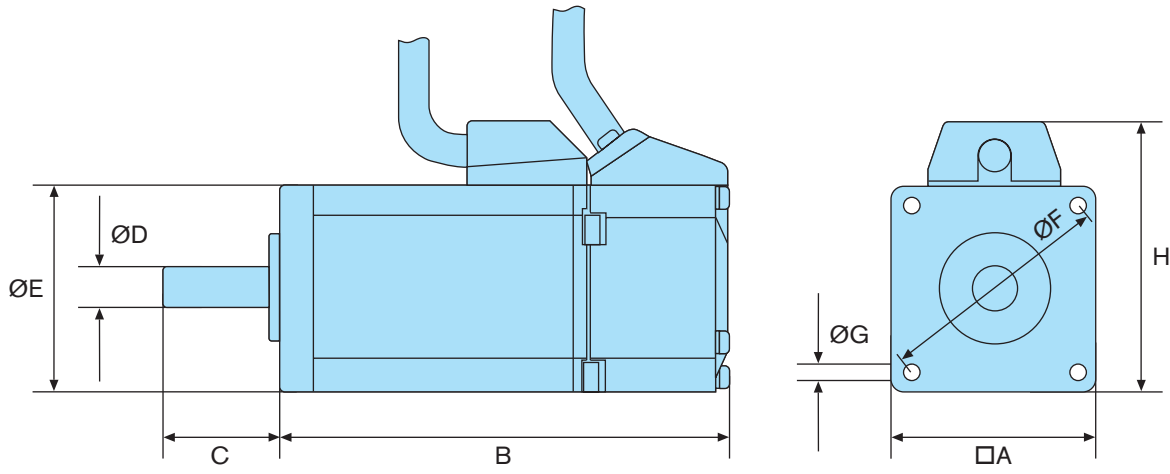
Technical data**Electric data**

Type	Maximum speed	Continuous torque at standstill	Maximum torque	Maximum current	Moment of inertia	
	n_{Max}	M_0	M_{Max}	I_{Max}	J	
	[1/min]	[Nm]	[Nm]	[A]	[kgm ²]	
MSM019A-0300	5000	0.16	0.48	3.3	0.000003	
MSM019B-0300		0.32	0.95		0.000005	
MSM031B-0300		0.64	1.91		4.9	0.000014
MSM031C-0300		1.3	3.8		7.7	0.000026
MSM041B-0300	4500	2.4	7.1	12	0.000087	

Dimensions

Type	A	B	C	Ø D	Ø E	Ø F	Ø G	H	Weight
	[mm]	[mm]	[mm]	[mm]	[mm]	[mm]	[mm]	[mm]	[kg]
MSM019A-0300	38	72	25	8	30	45	3.4	51	0.32
MSM019B-0300		92							0.47
MSM031B-0300	60	79	30	11	50	70	4.5	73	0.82
MSM031C-0300		98.5		14					1.2
MSM041B-0300	80	112	35	19	70	90	6	93	2.3

Synchronous servo motors

IndraDyn S ■ MSM - for compact drives

Bosch Rexroth AG

Electric Drives and Controls

P.O. Box 13 57

97803 Lohr, Germany

Bgm.-Dr.-Nebel-Str. 2

97816 Lohr, Germany

Phone +49 9352-40-0

Fax +49 9352-40-4885

www.boschrexroth.com/electrics

The data specified above only serve to describe the product.

As our products are constantly being further developed, no statements concerning a certain condition or suitability for a certain application can be derived from our information. The information given does not release the user from the obligation of own judgment and verification. It must be remembered that our products are subject to a natural process of wear and aging.